

ZERO 12 PRO

Speaker Specifications

Power	Pe	500 / 750	RMS/Nom
DC resistance	Rdc	3,7	Ω
Nominal impedance	ZN	4	Ω
Resonance frequency	fs	27	HZ
Voice coil diameter		2,5	inch
Xmax	+ -	12,5	mm

Mechanical Q factor	Qms	6,32
Electrical Q factor	Qes	0,40
Total Q factor	Qts	0,38

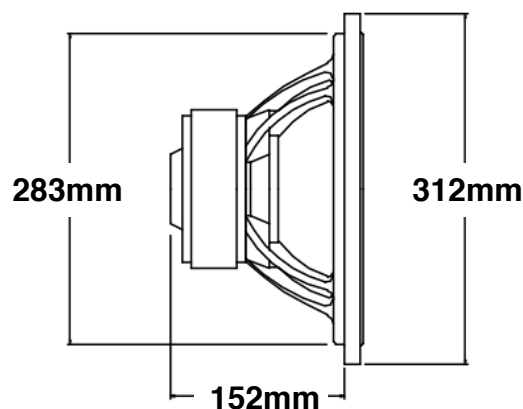
Moving mass	Mms	135	g
Effective piston area	Sd	510	cm ²
Mechanical resistance	Rms	3,95	Kg/s
Compliance	Cms	0,26	mm/N
Force factor	BL	13,95	Tm
Equivalent air volume	Vas	93,72	dm ³
SPL 2,83V/1m		92	dB

Cone: PFP	Spider: Nomex
Surround: Rubber	Coil former: Aluminium
Basket: Aluminium	Dust cap: Paper



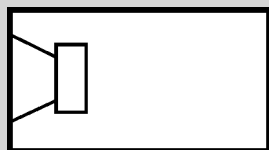
Diameter

External diameter	312 mm / 12,28 inch
Installation diameter	283 mm / 11,14 inch
Installation depth	152 mm / 5,98 inch
Magnet diameter	155 mm / 6,10 inch



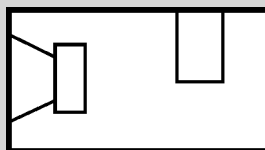
Recommended Boxes (including Ports and Drivers)

Sealed Box



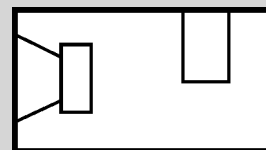
V: **30 l**

Vented Box



For Fun
 V: **48 l**
 Fb: 44 Hz / F3: 39 Hz
 d: 100 mm / 4,92 inch
 l: 200 / 7,87 mm / inch

Vented Box



For SQ
 V: **48 l**
 Fb: 39 Hz / F3: 36 Hz
 d: 100 mm / 4,92 inch
 l: 260 / 10,24 mm / inch